

# TT-3080A Capsat® Messenger with Big Dish Antenna



## Features

- Your perfect solution for a 64 Kbps high speed connection at a remote site.
- Ideal as a back up system for current installations.
- With the robust TT-3008B antenna, you can now set up a fixed site anywhere in the world.
- A fixed solution that still provides the many features of the Capsat® Messenger terminal.
- The small Capsat® Messenger terminal can readily be connected with the TT-3008B antenna.
- The TT-3008B is available in a well proven frame mount version.
- The portable and the fixed antenna can easily be swapped.
- The TT-3008B is delivered in a separate carry bag.
- Mobile Packet Data Service (MPDS) allowing for cost effective data transfer.

## Description

The Capsat® Messenger terminal combined with the robust TT-3008B antenna, now allows for a complete weather proof fixed solution at a remote site. You may install this system in connection with the sites PABX system, and not even know you are communicating via a high speed satellite connection.

You will be using the Global Area Network (GAN) service offered by Inmarsat, to cover both your high speed data and low speed data needs. The 64 kbps ISDN rate is suited for all Internet applications, video conference and many other applications. At the same time you have access to the in-expensive low speed Mini-M services for voice, fax and data.

With the Capsat Messenger fixed solution you still benefit from the many standard interfaces. If you loose complete power, you still have a built-in telephone and battery, so that you never loose the ability to stay in touch.

The system is well suited as a back up, not only to other

satellite systems such as VSAT, but also to the land based infrastructure.

Maintaining communication capabilities is becoming extremely important. Companies can not afford to have a branch or site down even for a few hours. The Capsat® Messenger with the TT-3008B antenna is now the answer to this concern.

It is simple to change between the two antennas. It is the same terminal without any hardware modifications that works with both types of antennas.

The TT-3008B can be positioned up to 200 meters away from the main unit. The antenna has a frame mount construction, but also includes brackets and hinges so that it can be installed on a pole.

The Big Dish is well proven and has been installed in thousands of locations around the world.

The antenna is delivered in a lightweight and sturdy bag.

## Specifications

### General Specifications:

Meets or exceeds current and proposed INMARSAT specifications for Inmarsat-phone spot-beam operation.

**Antenna:** Directional patch array antenna. Manually adjustable elevation setting.

**Voice:** 4.8 Kbps AMBE, 64 kbps High Quality Audio.

**Async. Data Rate:** 2.4 kbps, 56 kbps and 64 kbps.

**Phone Interface:** 2-wire 600Ω CCITT Rec. G.473, standard DTMF telephones, RJ-11 modular jack.

**Fax Interface:** 2-wire 600Ω CCITT Rec. G.473, T.30 Group III Fax, RJ-11 modular jack.

**Data Interface:** Serial EIA compatible standard RS-232E, built-in Hayes compatible modem, up to 115 kbps, DB-9 female connector.

**Euro ISDN Interface:** ISDN NT1 S/T bus, ITU-T I.430, ISO 8877 compliant RJ 45 connector.

**Audio Input:**

Phono connector.

**Audio Output:** Headphone stereojack, 48 Ω, Ø 3.5mm.

**SIM Card Interface:** Standard plug for user PID card, ISO-7816.

**PCMCIA Interface:** Type 2, 3.3 volt, max. 300 mA

**USB Interface:** USB slave interface.

**Antenna Connector:** 50Ω QLA.

**Power Supply:** 9.5 V - 20 VDC.

**Power Consumption:** Rx Idle <0.1 W, Tx active 35 W, average at high speed data operation (Max. 55 W).

**Battery Capacity:** 2h High quality voice/ 4h Mini-M voice, 35 min. high speed data/fax or 2h Mini-M data/fax, 100h standby.

**Standard AC adapter:** 90-264 VAC, 47-63 Hz, 100 W.

**Ambient Temperature:** -25°C to +55°C operating, -40°C to +80°C storage.

**Relative Humidity:** IME: 95% non-condensing at +40°C EME: 100% condensing.

**Vibration Survival:** Random 5-20 Hz 0.05 g<sup>2</sup>/Hz, 20-150 Hz -3dB/Oct. (1.7g RMS).

**Mechanical Shock:**

20g/11ms half-sine.

**G/T:** -7 dB/K minimum.

**EIRP:** Mini-M: 8-14 dBW in 2 dB steps. HSD: 19-25 dBW in 2 dB steps.

**Antenna Cable:** QLA/TNC, max. cable loss 10 dB at 1.6 GHz, 0.5Ω at DC.

**Rx Freq. Band:** 1525.0 - 1559.0 MHz.

**Tx Freq. Band:** 1626.5 - 1660.5 MHz.

**Channel Spacing:** 1.25 kHz.

**Rx Modulation:** 5.6 kbps O-QPSK, SCPC (voice, data, fax), 6 kbps BPSK -TDM, 134.4 kbps 16QAM, SCPC (data).

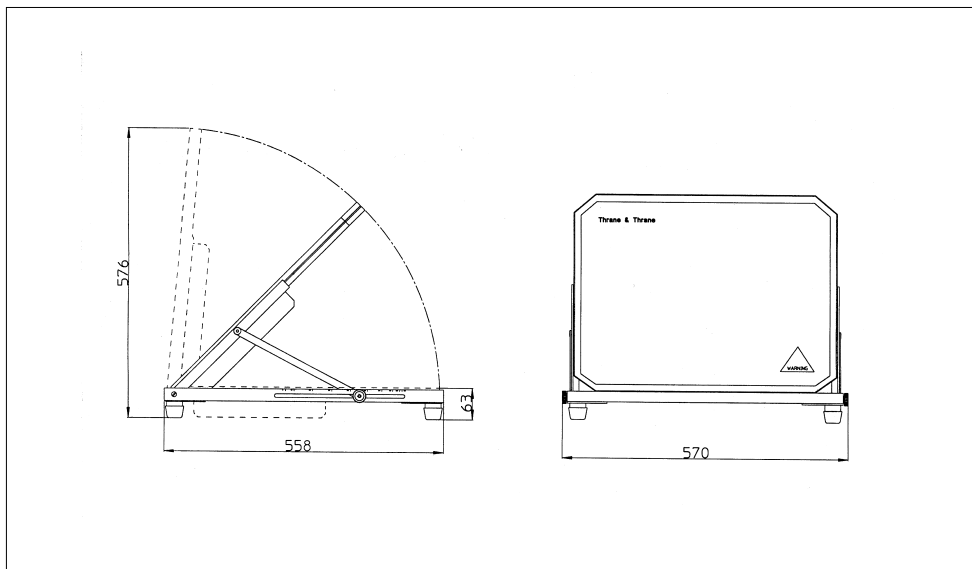
**Tx Modulation:** 5.6 kbps O-QPSK, SCPC (voice, data, fax), 3 kbps BPSK -TDMA, 134.4 kbps 16QAM, SCPC (data).

**Dimension of Transceiver:** H x W x D: 43 mm x 205 mm x 200 mm, Weight of Transceiver: 1.7 kg (including battery and handset).

**Dimension of Antenna:** H x W x D 558 mm x 550 mm x 63 mm

**Weight of Antenna:** 3,5 Kg.

■ Our products are under continuous research and development. This information may therefore change without prior notice. Capsat is a registered trademark of Thrane & Thrane A/S, Denmark.



Distributor:

Global Communications Solutions, Inc.  
7640 Omnitech Place  
Victor, NY 14564  
+1 585.924.4840  
www.globalcoms.com